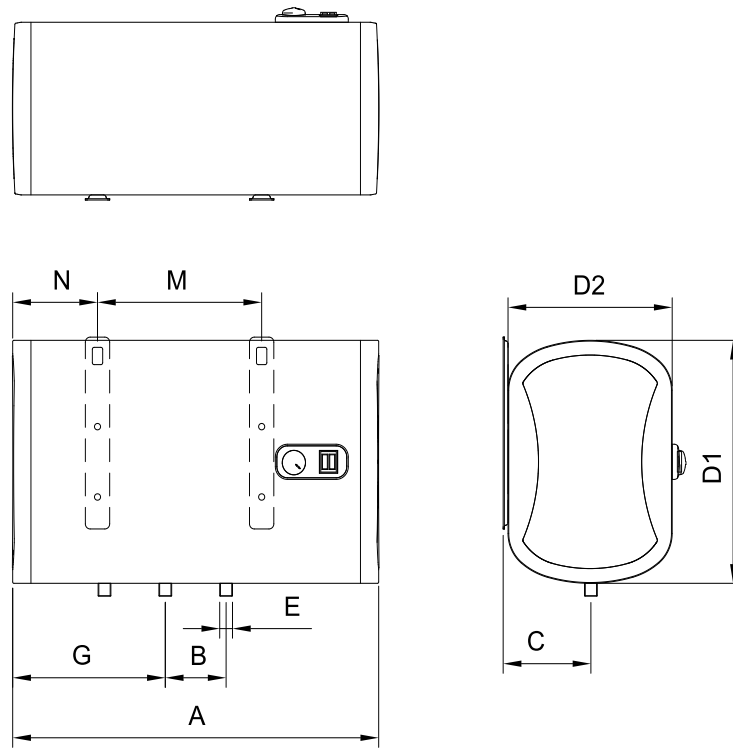
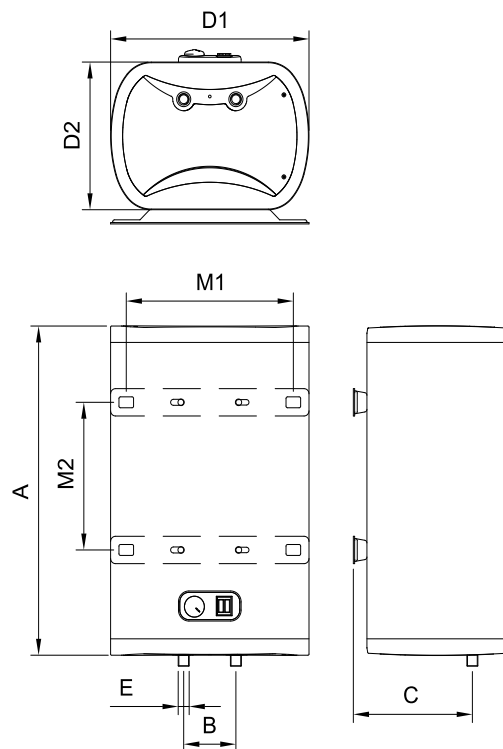


FLAT dimension



	diameters (mm)								
model	A	B	C	D1	D2	E	G	M	N
SHT30H	603	100	144	380	270	G1/2	225, 5	270	192, 5
SHT50H	898	100	144	380	270	G1/2	395	520	193
SHT80H	985	100	166, 5	450	310	G1/2	435	562	219
SHT100H	910	100	205	540	360	G1/2	402	430	243



	diameters (mm)								
model	A	B	C	D1	D2	E	M1	M2	
SHT30V	603	100	202	380	270	G1/2	320	270	
SHT50V	898	100	202	380	270	G1/2	320	520	

SHT80V	985	100	222	450	310	G1/2	320	562	
SHT100V	910	100	247	540	360	G1/2	320	430	